

Sketch is reversed

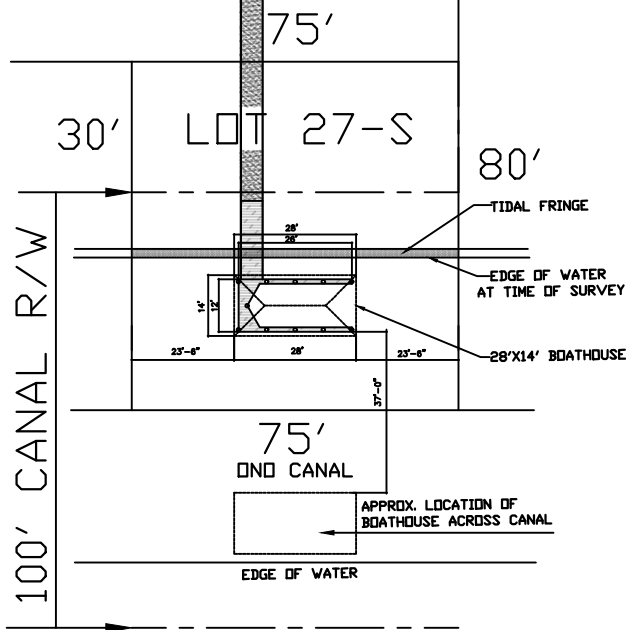
For Informational Purposes Only

WHISPERING CIRCLE 60' R.O.W.

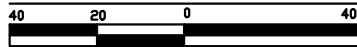
JEFFREY CULTON
LOT 28
TURTLE KEY SUBD. UNIT 2
32235 WHISPERING CIRCLE

J. GARY ELLIS
LOT 10
TURTLE KEY SUBD. UNIT 1
P.O. BOX 6429 GULF SHORES, AL 36547

60'
EASEMENT
4' GRAVEL PATH
60'
EASEMENT



SITE PLAN



SCALE IN FEET

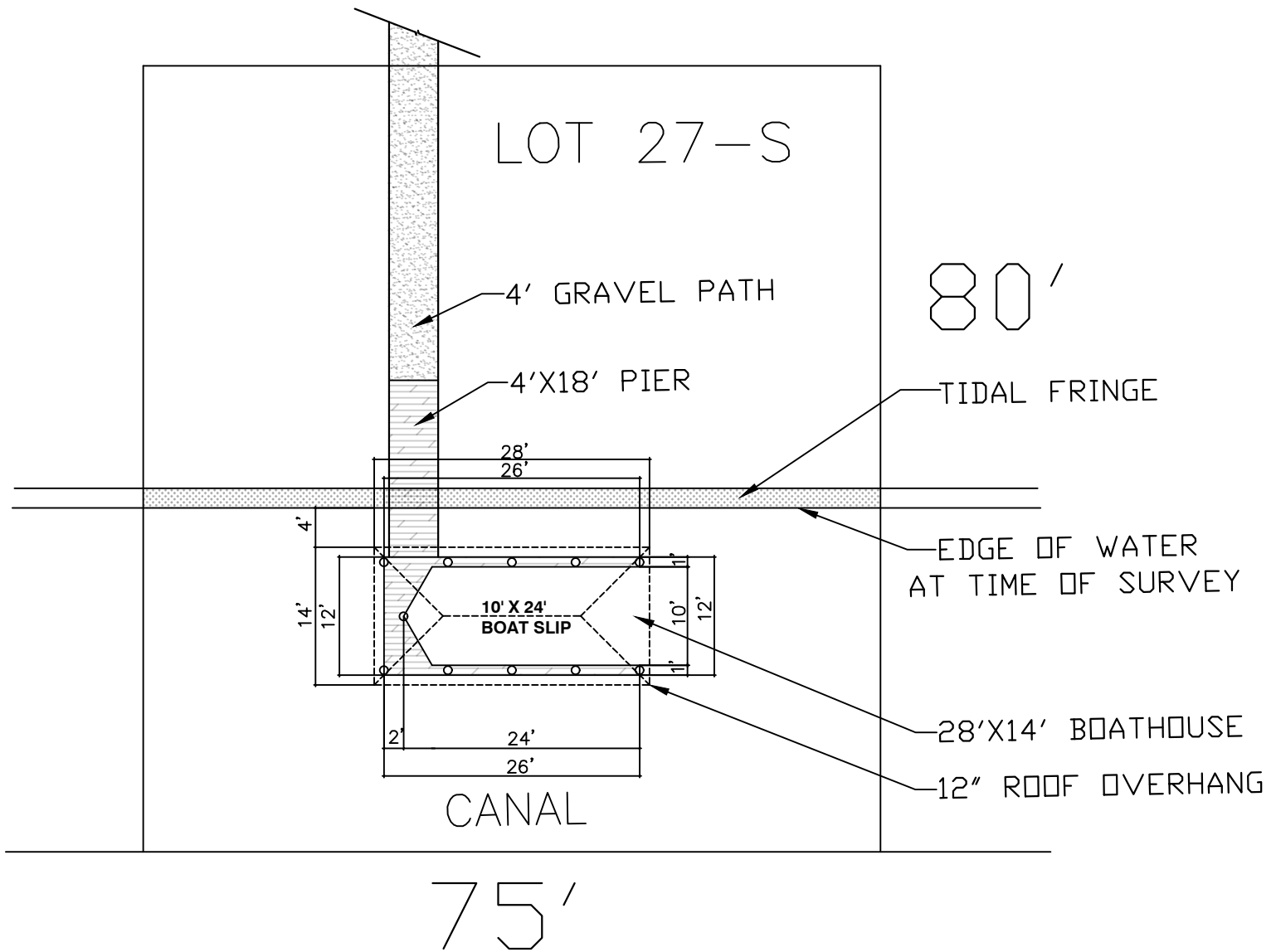
SAM-2021-00158-DJL



GENTLE RESIDENCE PIER AND BOATHOUSE DND CANAL, BALDWIN COUNTY 32239 WHISPERING CIRCLE, ORANGE BEACH, AL 36561

Sketch is reversed

For Informational Purposes Only



BOATHOUSE PLAN



SCALE IN FEET

SAM-2021-00158-DJL

GENTILE RESIDENCE PIER AND BOATHOUSE
OND CANAL, BALDWIN COUNTY
32239 WHISPERING CIRCLE, ORANGE BEACH, AL 36561