

Sketch is reversed

For Informational Purposes Only

WHISPERING CIRCLE 60' R.O.W.

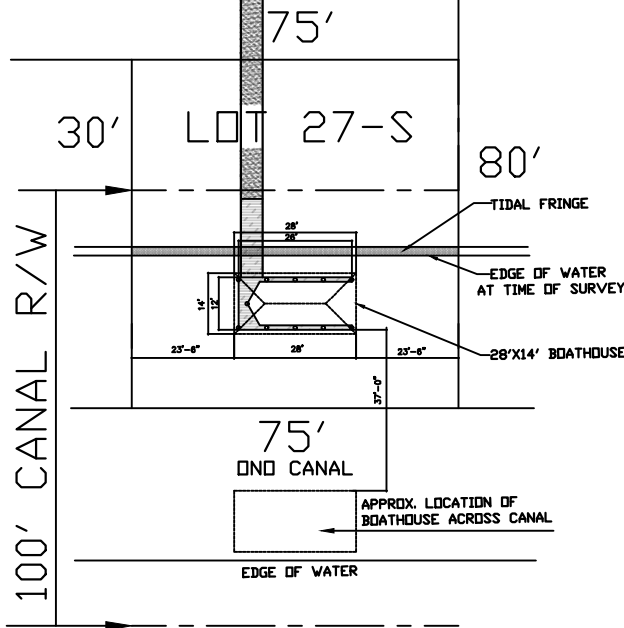
JEFFREY CULTON
LOT 28
TURTLE KEY SUBD. UNIT 2
32235 WHISPERING CIRCLE

J. GARY ELLIS
LOT 10
TURTLE KEY SUBD. UNIT 1
P.O. BOX 6429 GULF SHORES, AL 36547

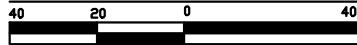
60'
EASEMENT

4' GRAVEL PATH

60'
EASEMENT



SITE PLAN



SCALE IN FEET

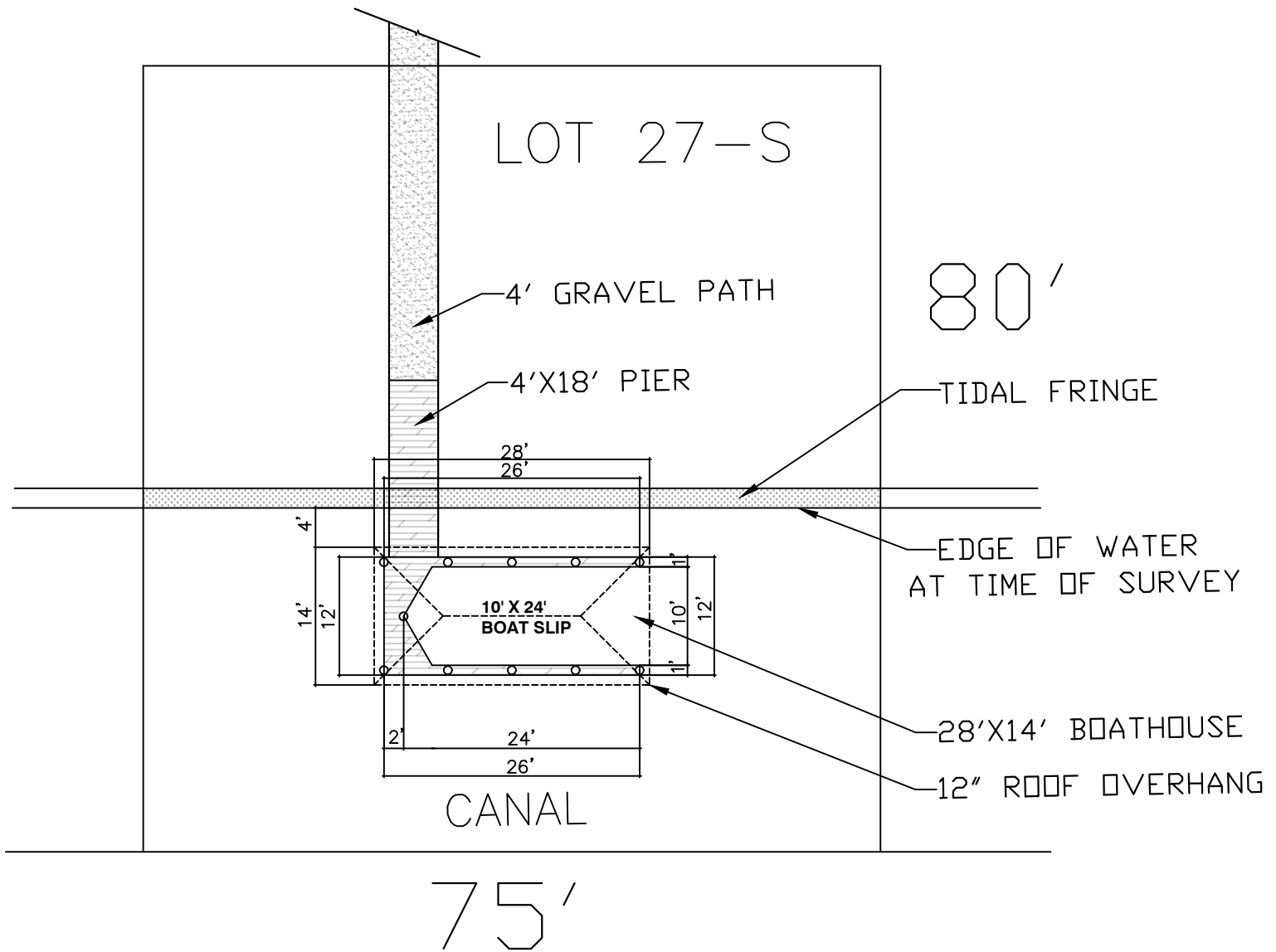
SAM-2021-00158-DJL



GENTLE RESIDENCE PIER AND BOATHOUSE
DND CANAL, BALDWIN COUNTY
32239 WHISPERING CIRCLE, ORANGE BEACH, AL 36561

Sketch is reversed

For Informational Purposes Only



BOATHOUSE PLAN

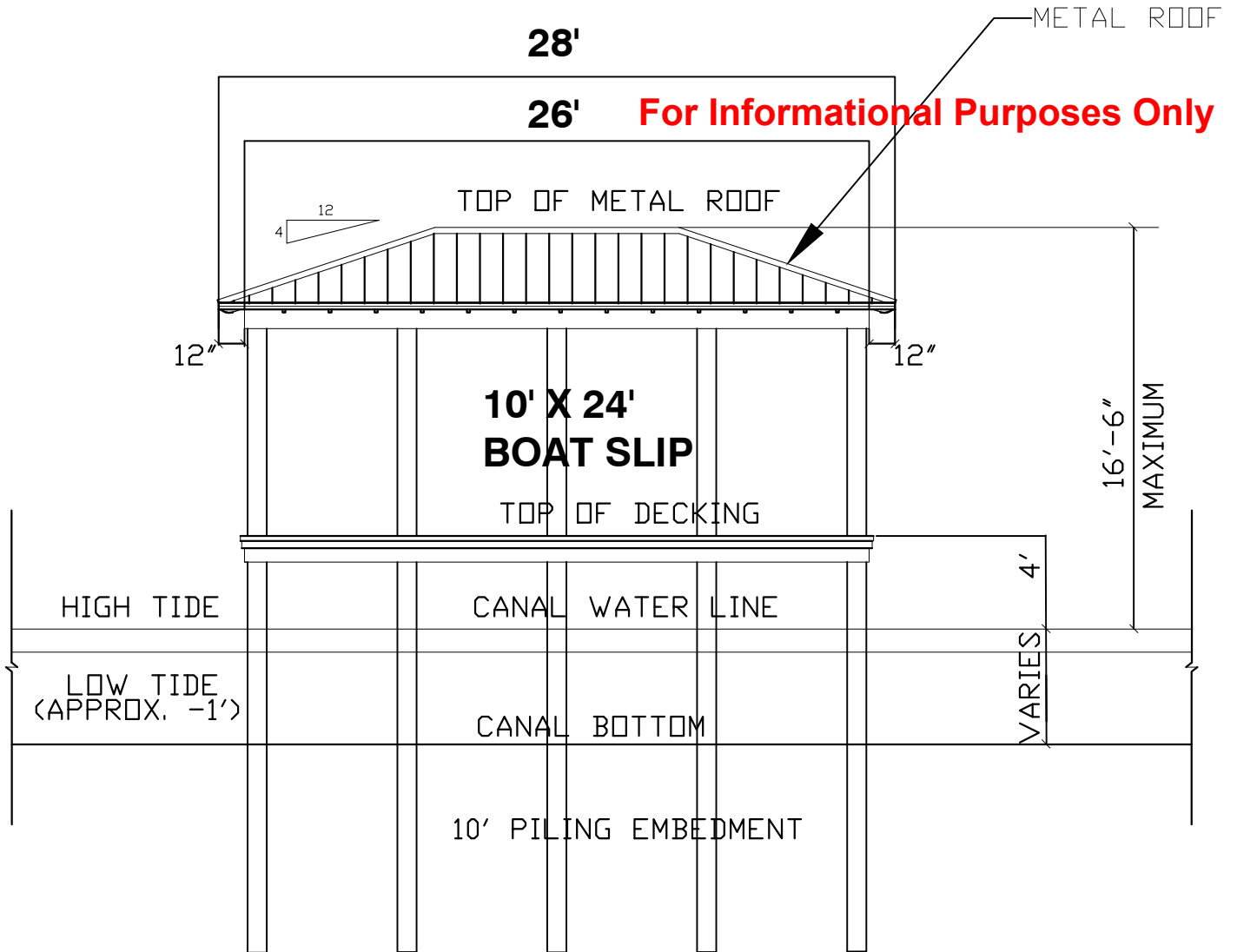


SCALE IN FEET

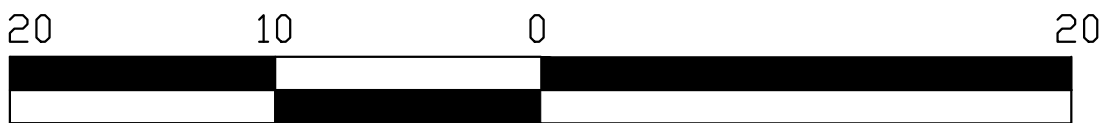
SAM-2021-00158-DJL

GENTILE RESIDENCE PIER AND BOATHOUSE
OND CANAL, BALDWIN COUNTY
32239 WHISPERING CIRCLE, ORANGE BEACH, AL 36561

NEW BOAT SHELTER



SOUTH ELEVATION



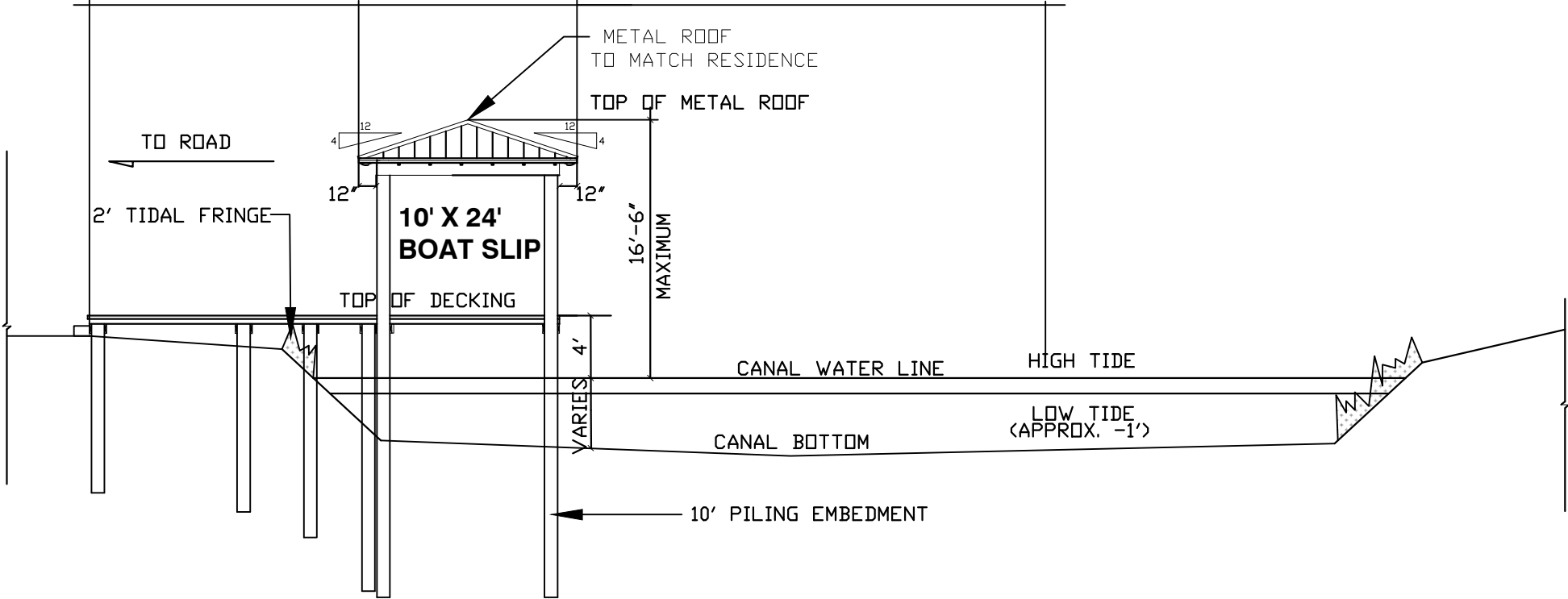
SCALE IN FEET

1. ANY PILINGS THAT FALL WITHIN THE SAV REGION WILL BE MECHANICALLY DRIVEN
2. 3/4" SPACING BETWEEN DECK BOARDS

SAM-2021-00158-DJL

GENTILE RESIDENCE PIER AND BOATHOUSE
 OND CANAL, BALDWIN COUNTY
 32239 WHISPERING CIRCLE, ORANGE BEACH, AL 36561

NEW PIER 18' NEW BOAT SHELTER 14' NAVIGATION CHANNEL 30'



WEST ELEVATION



SCALE IN FEET

- 1. ANY PILING THAT FALL WITHIN THE SAV REGION WILL BE MECHANICALLY DRIVEN
- 2. 3/4" SPACING BETWEEN DECK BOARDS

SAM-2021-00158-DJL

GENTILE RESIDENCE PIER AND BOATHOUSE
 OND CANAL, BALDWIN COUNTY
 32239 WHISPERING CIRCLE, ORANGE BEACH, AL 36561