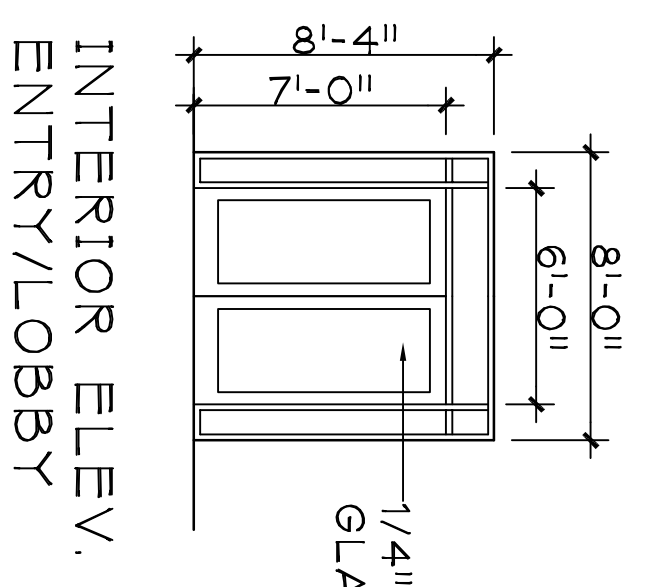
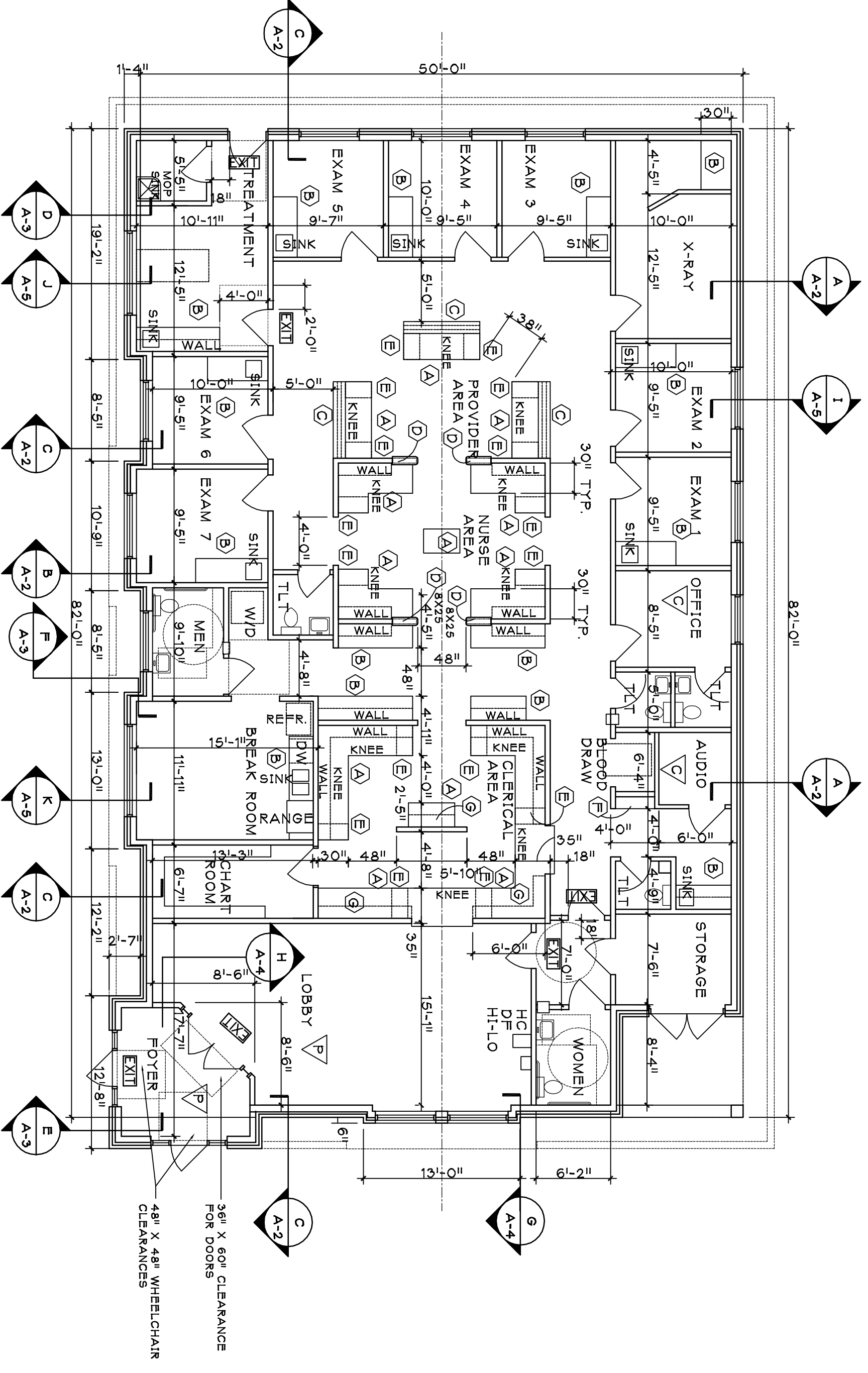


**FLOOR PLAN**

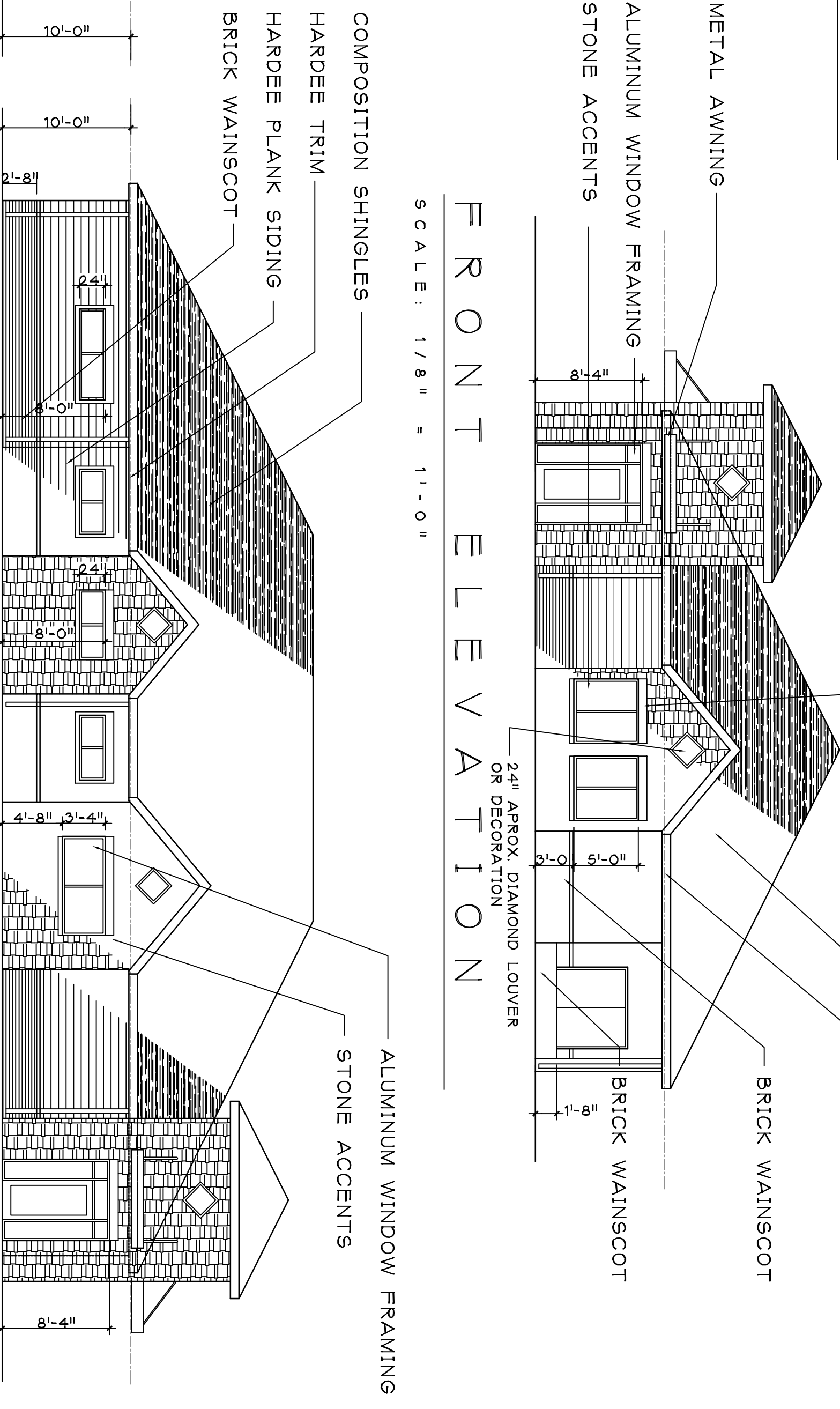
SCALE: 1/8" = 1'-0"

FIRE SUPPRESSION HOOD REQUIRED AT RANGE



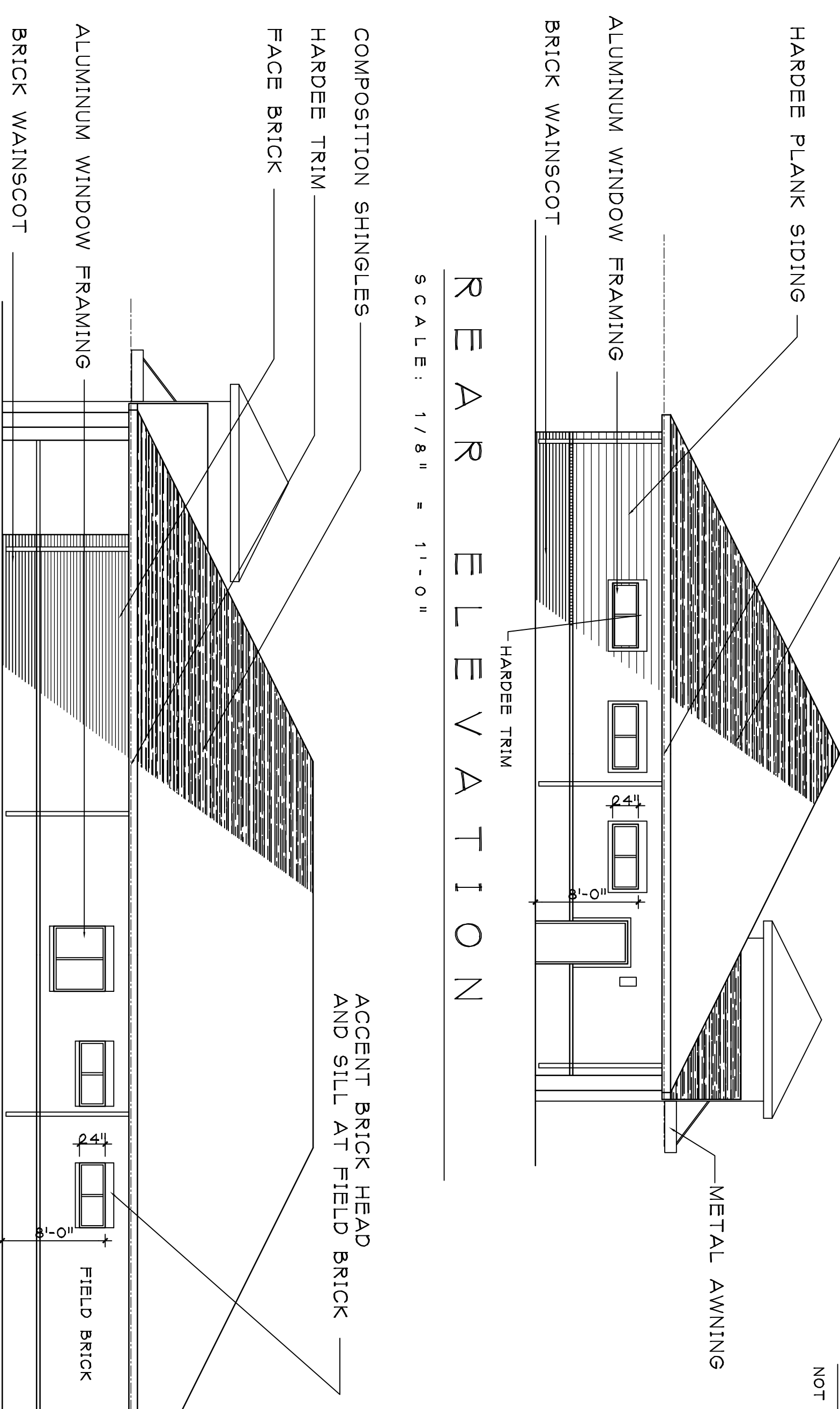
**FRONT ELEVATION**

SCALE: 1/8" = 1'-0"



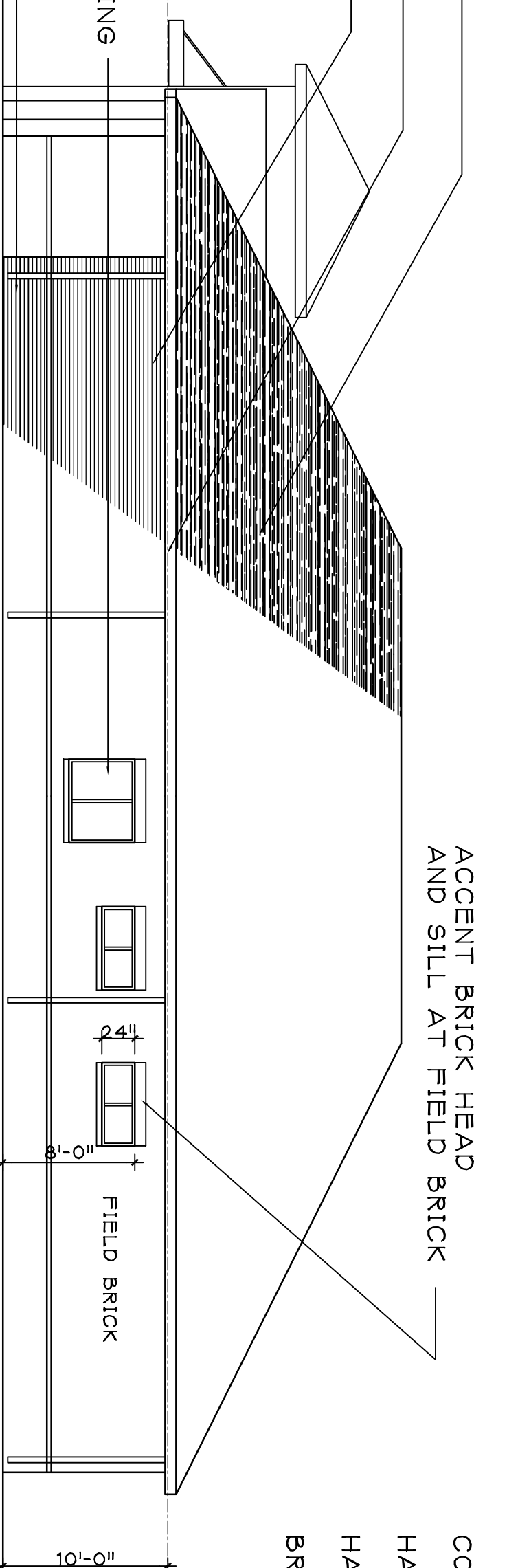
**REAR ELEVATION**

SCALE: 1/8" = 1'-0"



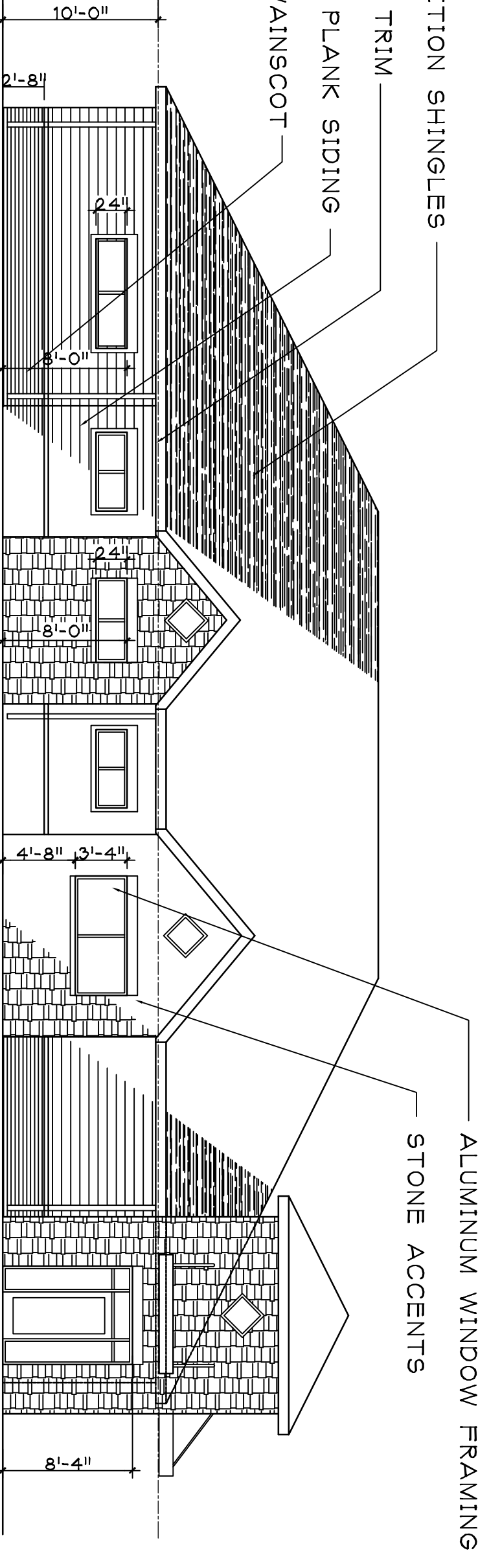
**SIDE ELEVATION**

SCALE: 1/8" = 1'-0"



**SIDE ELEVATION**

SCALE: 1/8" = 1'-0"



NEW FACILITY  
**ADAMS CLINIC**  
QUEECREEK CIRCLE  
SMYRNA, TENNESSEE

W. Michael Stewart  
Architect  
1318 Tomahawk Trace Murfreesboro, Tennessee 37129

FLOOR PLAN AND ELEVATIONS  
APRIL 27 2013  
MARCH 11 2013  
SCALE: 1/8" = 1'-0"