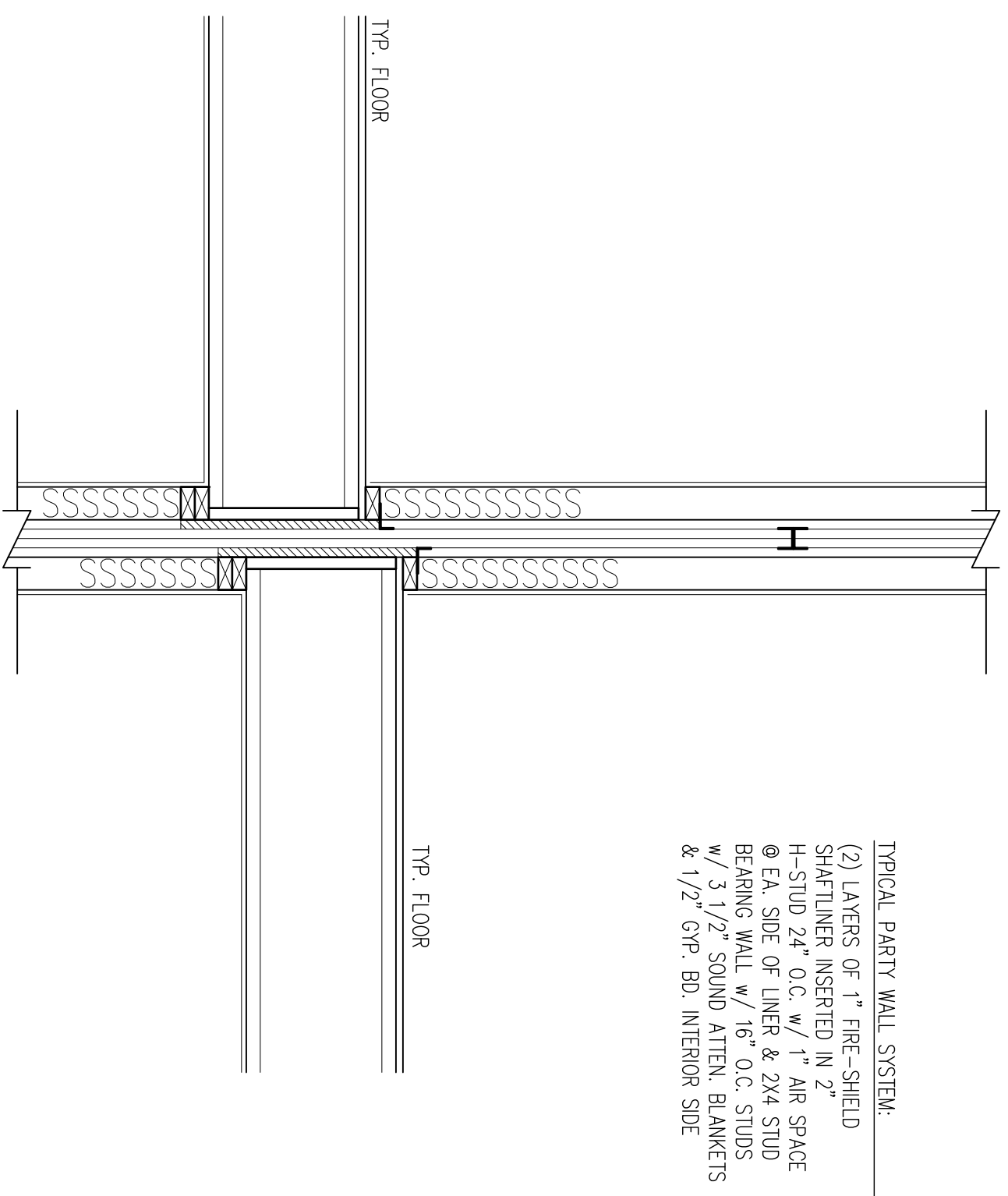


TYPICAL WALL SECTION

3/4" = 1'-0"

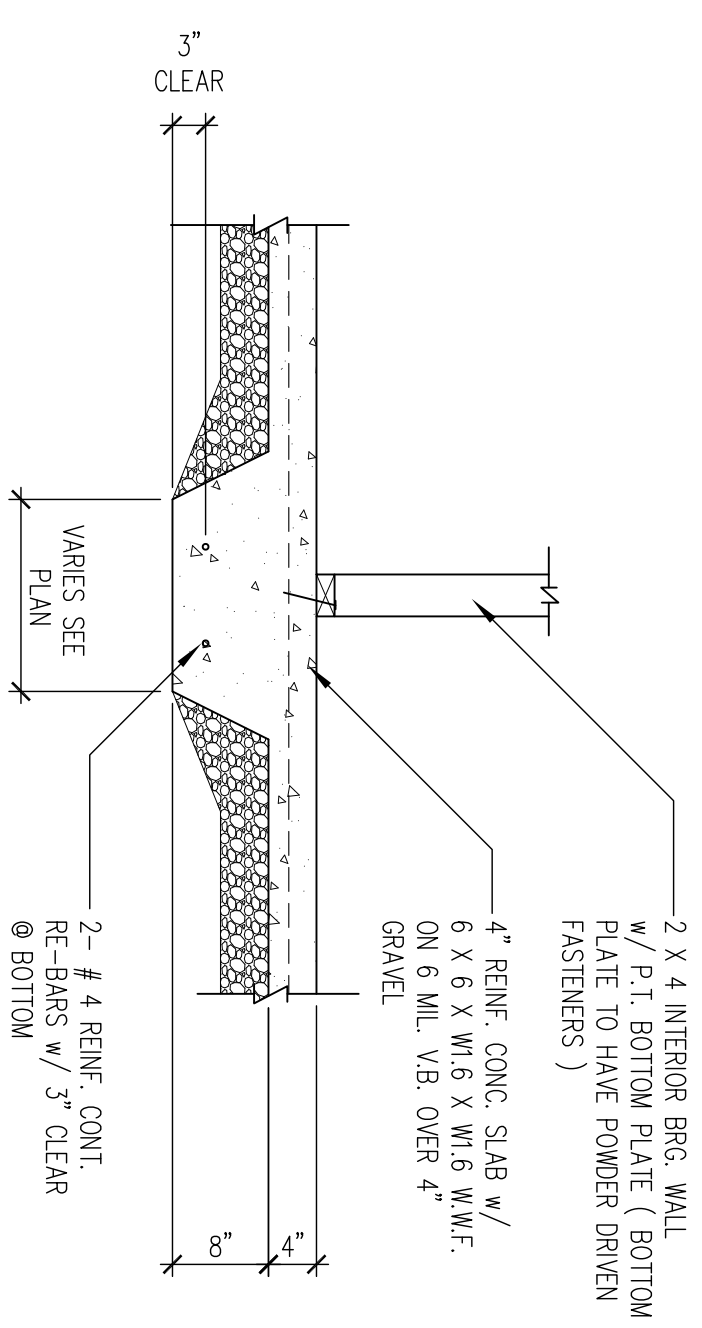
6
A-5



TYPICAL WALL SECTION

3/4" = 1'-0"

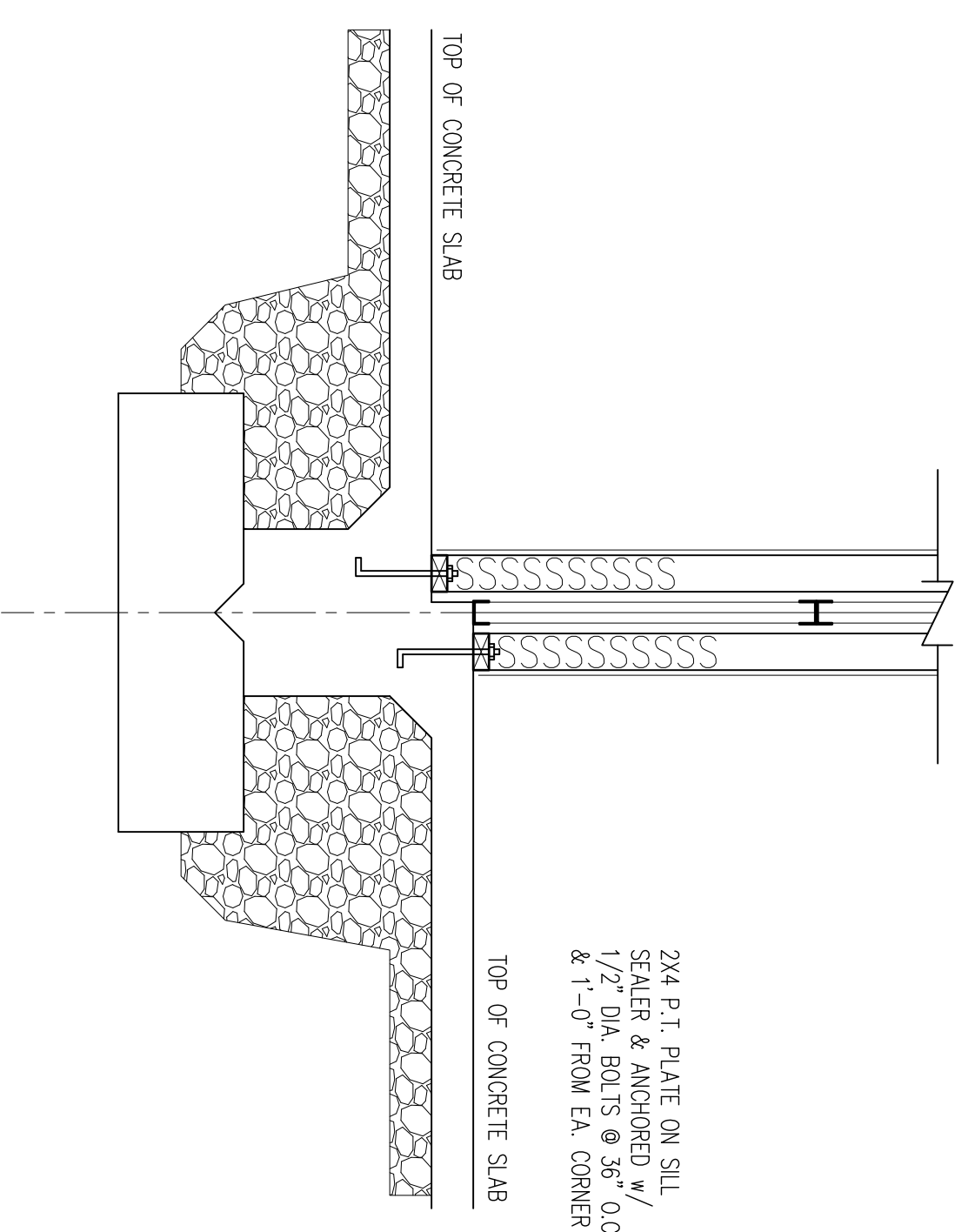
4
A-5



TYP. THICKEN SLAB DETAIL

3/4" = 1'-0"

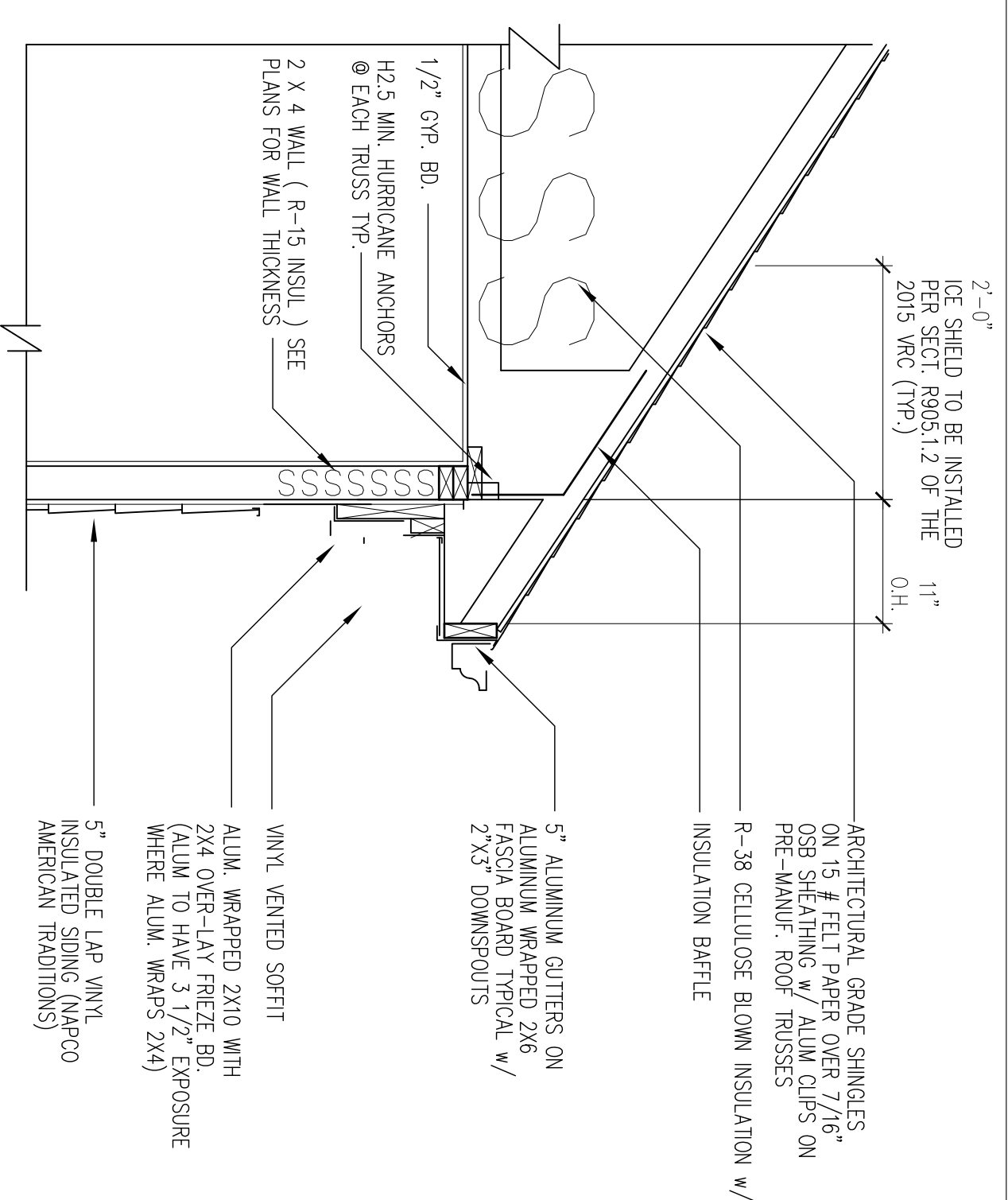
7
A-5



TYPICAL WALL SECTION

3/4" = 1'-0"

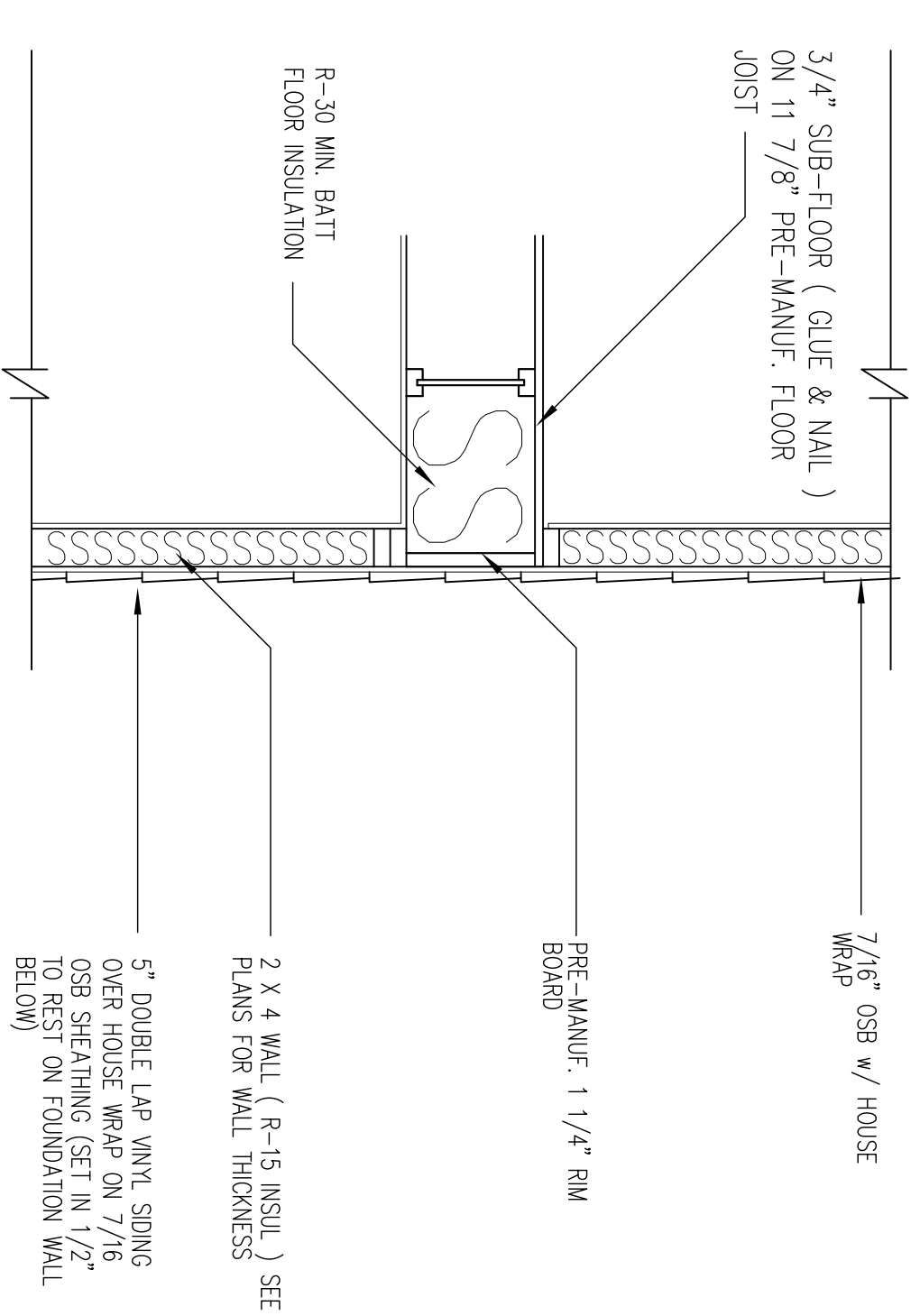
5
A-5



TYPICAL WALL SECTION

3/4" = 1'-0"

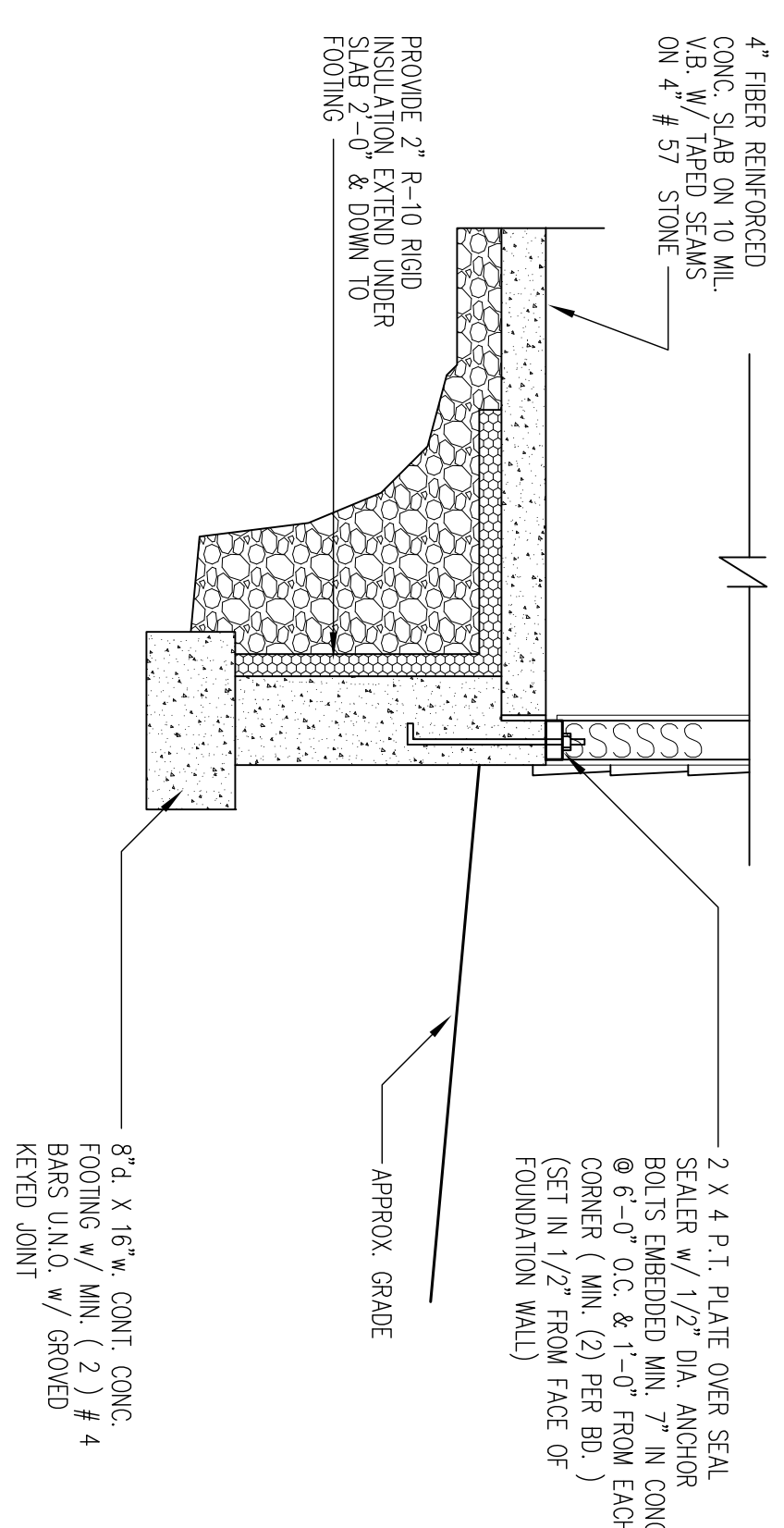
1
A-5



TYPICAL WALL SECTION

3/4" = 1'-0"

2
A-5



TYPICAL WALL SECTION

3/4" = 1'-0"

3
A-5

LEFT & RIGHT ELEVATION



DRAWN
D.S.

CHECKED
D.S.

DATE
09/21/20

SHEET
A-5