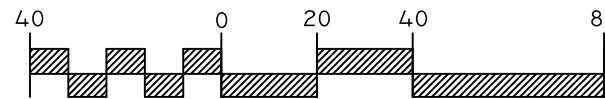


GRAPHIC SCALE



(IN FEET)
1 INCH = 40 FT.

- PERCOLATION HOLE (PASSED)
- ▲ PROBE HOLE (PASSED)
- WELL LOCATION

PLAN SHOWING
ON-LOT SEWAGE DISPOSAL SYSTEM
FOR

IRON HILL ESTATES - LOT 1

LOCATED IN

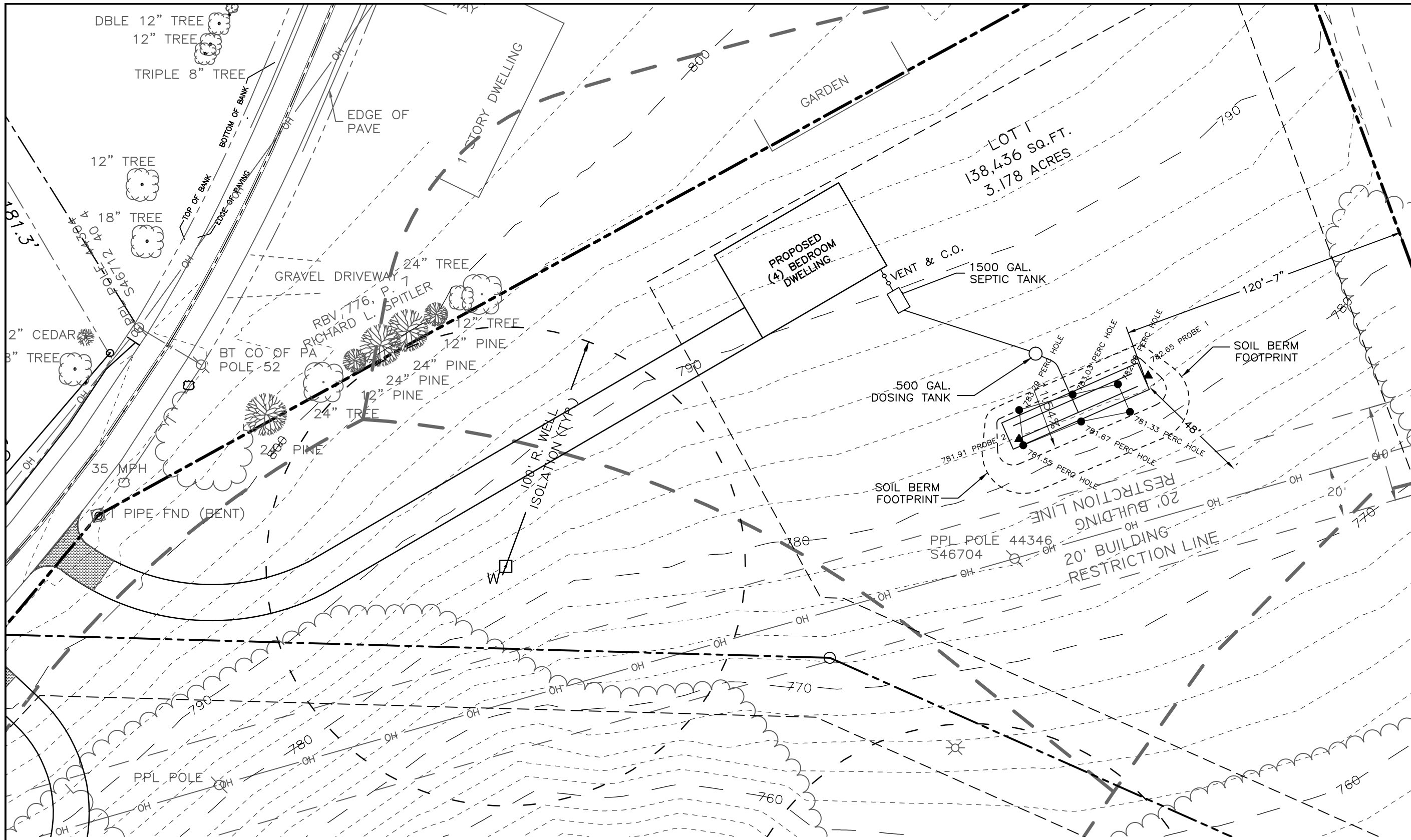
SOUTH MANHEIM TOWNSHIP

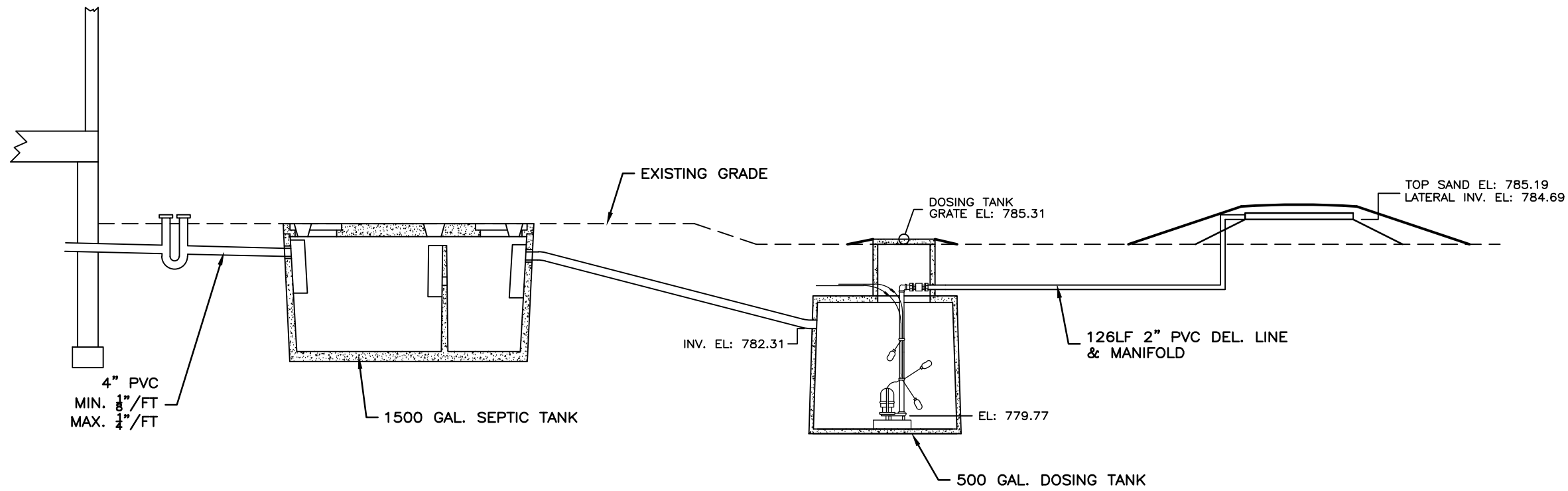
FORINO COMPANY, L.P.

555 MOUNTAIN HOME ROAD * SINKING SPRING, PA. 19608
OFFICE 610-670-2200 * FAX 610-670-2608
WWW.FORINO.COM

SCHUYLKILL COUNTY, PA.

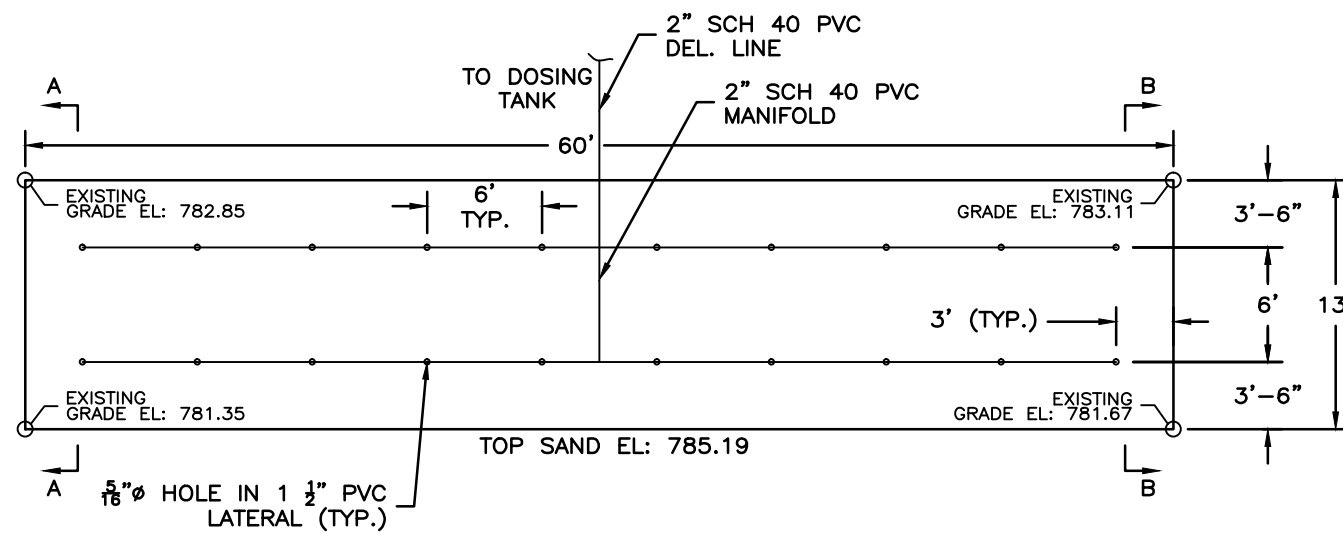
PROJECT #:	IHE
SCALE:	1" = 40'
DRAWN BY:	JWB
CHECKED BY:	ED
DATE:	10/9/2006
DWG. NO.:	IHE-SEPTIC
SHEET NO.:	1 OF 4





SEPTIC SYSTEM PROFILE

NTS



DRAINAGE BED DETAIL

SCALE: 1"=10'



PLAN SHOWING
ON-LOT SEWAGE DISPOSAL SYSTEM
FOR

IRON HILL ESTATES - LOT 1
LOCATED IN

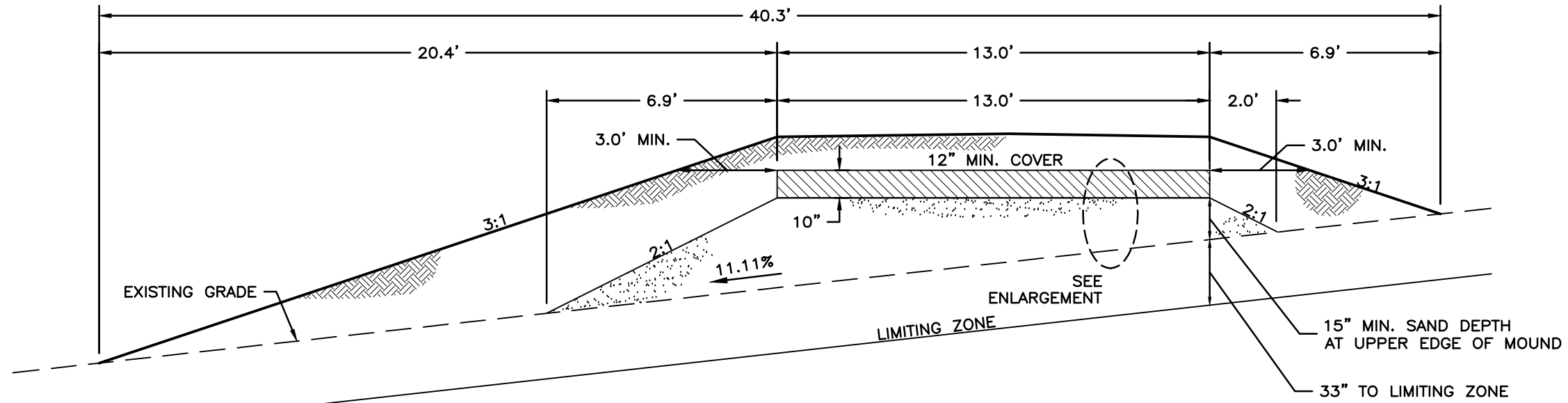
SOUTH MANHEIM TOWNSHIP

SCHUYLKILL COUNTY, PA.

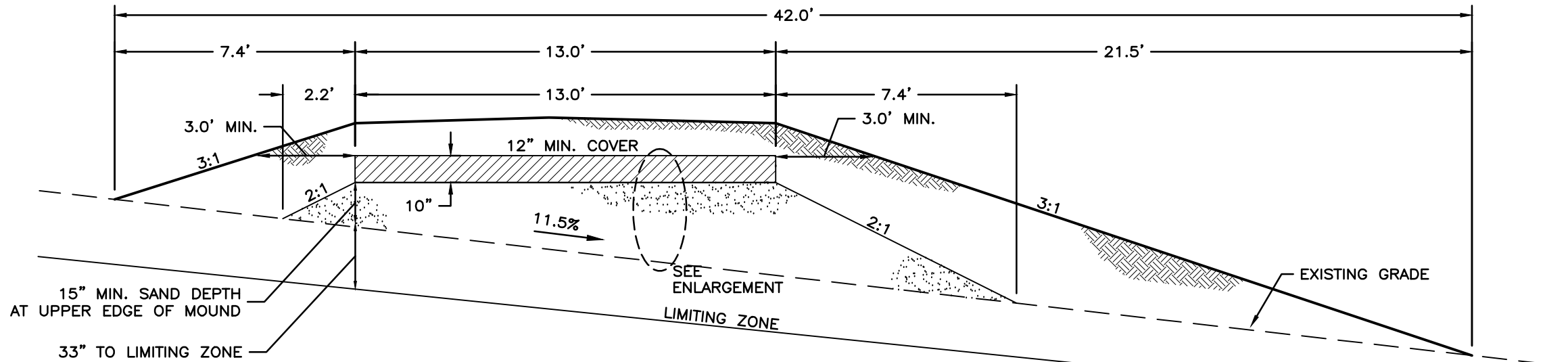
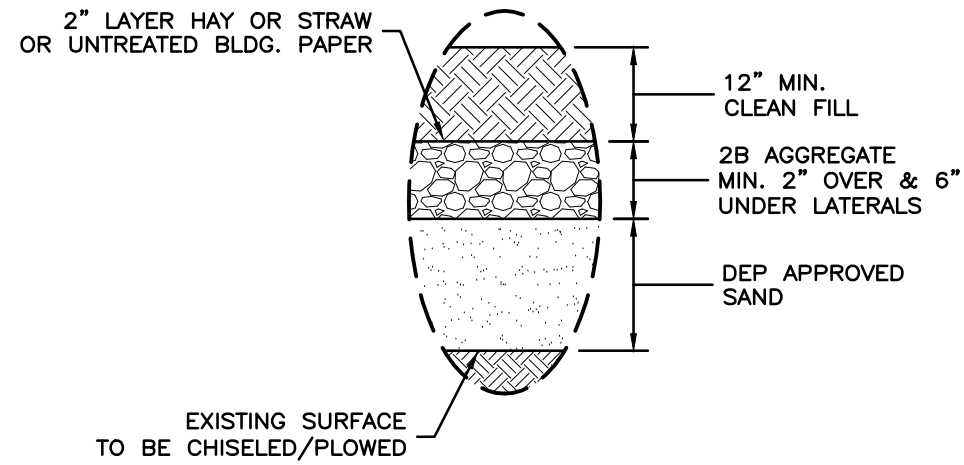
FORINO COMPANY, L.P.

555 MOUNTAIN HOME ROAD * SINKING SPRING, PA. 19608
OFFICE 610-670-2200 * FAX 610-670-2608
WWW.FORINO.COM

PROJECT #:	IHE
SCALE:	AS NOTED
DRAWN BY:	JWB
CHECKED BY:	ED
DATE:	10/9/2006
DWG. NO.:	IHE-SEPTIC
SHEET NO.:	2 OF 4



SECTION A



SECTION B

PLAN SHOWING
ON-LOT SEWAGE DISPOSAL SYSTEM
FOR
IRON HILL ESTATES - LOT 1
LOCATED IN
SOUTH MANHEIM TOWNSHIP
SCHUYLKILL COUNTY, PA.

FORINO COMPANY, L.P.
555 MOUNTAIN HOME ROAD * SINKING SPRING, PA. 19608
OFFICE 610-670-2200 * FAX 610-670-2608
WWW.FORINO.COM

PROJECT #:	IHE
SCALE:	1/4"=1'-0"
DRAWN BY:	JWB
CHECKED BY:	ED
DATE:	10/9/2006
DWG. NO.:	IHE-SEPTIC
SHEET NO.:	3 OF 4

