

160kV Lead Cabinet

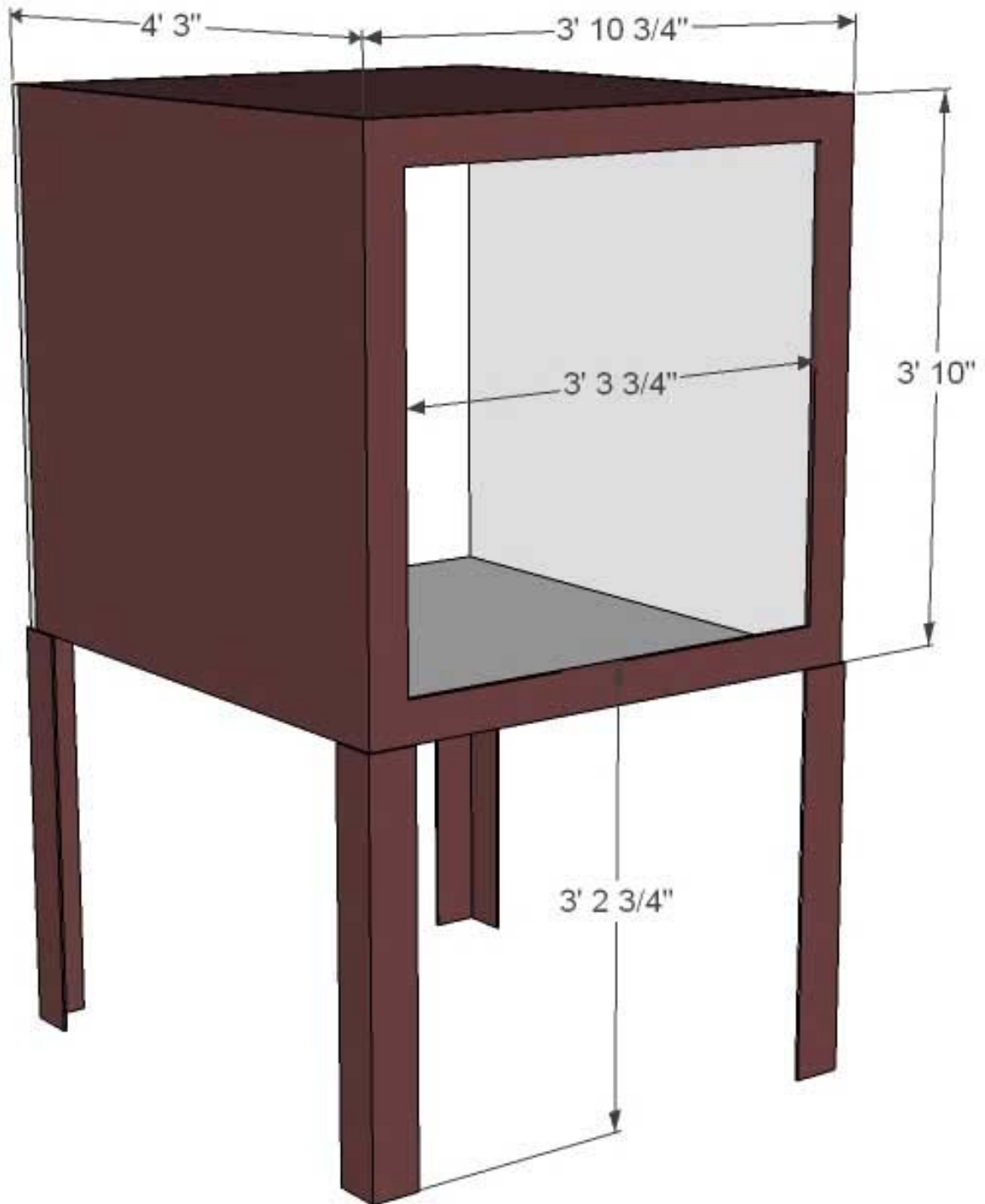




SPECIFICATIONS

- 46"W x 46"H x 51"D 160kV Steel/Lead Shielded Cabinet w/out Stand
- 39" x 39" Door Opening
- 41" FFD from Tube Focal to Bottom of cabinet
- Manual Left to Right Tube Manipulator (± 20 " (40" TTL) Movement from Center of Cabinet)
- Manual Front to Back Tube Manipulator
- Low Voltage Safety Switches on both doors

CABINET DIMENTIONS



DEPTH = 52.75" OD without Cable Port on Back