



Vehicle History Report™

US \$39.99

**2017 TOYOTA CAMRY
LE/XLE/SE/XSE**

VIN: 4T1BF1FK5HU770491
SEDAN 4 DR
2.5L I4 F DOHC 16V
GASOLINE
FRONT WHEEL DRIVE



Accident reported



CARFAX 1-Owner vehicle



Regular oil changes



Personal vehicle



Last owned in Pennsylvania



24,351 Last reported odometer reading



This CARFAX Vehicle History Report is based only on information supplied to CARFAX and available as of 3/16/22 at 9:56:14 AM (CDT). Other information about this vehicle, including problems, may not have been reported to CARFAX. Use this report as one important tool, along with a vehicle inspection and test drive, to make a better decision about your next used car.



Ownership History

The number of owners is estimated

Owner 1

Year purchased

2017

Type of owner

Personal

Estimated length of ownership

4 yrs. 10 mo.

Owned in the following states/provinces

Pennsylvania

Estimated miles driven per year

6,278/yr

Last reported odometer reading

24,351



Title History

CARFAX guarantees the information in this section

Owner 1

Salvage | Junk | Rebuilt | Fire | Flood | Hail | Lemon

Guaranteed
No Problem

Not Actual Mileage | Exceeds Mechanical Limits

Guaranteed
No Problem



GUARANTEED - None of these major title problems were reported by a state Department of Motor Vehicles (DMV). If you find that any of these title problems were reported by a DMV and not included in this report, CARFAX will buy this vehicle back.
[Register](#) | [View Terms](#) | [View Certificate](#)



Additional History

Not all accidents / issues are reported to CARFAX

Owner 1

Total Loss
No total loss reported to CARFAX.

No Issues Reported

Structural Damage
CARFAX recommends that you have this vehicle inspected by a collision repair specialist.

No Issues Reported

Airbag Deployment No airbag deployment reported to CARFAX.	✔ No Issues Reported
Odometer Check No indication of an odometer rollback.	✔ No Issues Indicated
Accident / Damage Accident reported: 05/01/2018. Damage reported: 07/25/2018.	Accident Reported
Manufacturer Recall No open recalls reported to CARFAX. Check with an authorized Toyota dealer for any open recalls. View Toyota disclosure	✔ No Recalls Reported
Basic Warranty Original warranty estimated to have expired.	Warranty Expired



Detailed History

Owner 1

Purchased:
2017



Low mileage! This owner drove less than the industry average of 15,000 miles per year.

Personal Vehicle
6,278 mi/yr

Date	Mileage	Source	Comments
04/03/2017		NICB	Vehicle manufactured and shipped to original dealer
04/20/2017		Thompson BMW Doylestown, PA 215-340-3900 thompsonbmw.com/ ★ 4.5 / 5.0 66 Verified Reviews ✓ ♥ 80 Customer Favorites	🔧 Vehicle serviced
04/20/2017	6	Thompson Toyota Doylestown, PA 215-345-9460 1800thompson.com ★ 4.6 / 5.0 122 Verified Reviews ✓ ♥ 2,468 Customer Favorites	🔧 Vehicle serviced - Pre-delivery inspection completed
04/20/2017		Inspection Station	Exempt from emissions inspection
04/25/2017	45	Pennsylvania Motor Vehicle Dept.	Vehicle purchase reported - Titled or registered as personal vehicle
05/09/2017		Pennsylvania Motor Vehicle Dept. Line Lexington, PA Title #7749311901 KA	Title issued or updated - First owner reported
05/25/2017	763	Thompson Toyota Doylestown, PA 215-345-9460 1800thompson.com ★ 4.6 / 5.0 122 Verified Reviews ✓ ♥ 2,468 Customer Favorites	🔧 Vehicle serviced - Maintenance inspection completed - Recommended maintenance performed - Window vent visors installed - Accessories installed - Nitrogen fill tires - Vehicle washed/detailed - Electrical system checked
08/16/2017	1,530	Thompson Toyota Doylestown, PA 215-345-9460	🔧 Vehicle serviced - Maintenance inspection completed - Steering/suspension lubricated

1800thompson.com

★ 4.6 / 5.0

[122 Verified Reviews](#) ✓

♥ 2,468 Customer Favorites

Thompson
4.6 / 5.0

09/29/2017

2,274

Thompson Toyota
Doylestown, PA
215-345-9460
1800thompson.com

★ 4.6 / 5.0

[122 Verified Reviews](#) ✓

♥ 2,468 Customer Favorites



Vehicle serviced

- Maintenance inspection completed
- 5,000 mile service performed
- Tire condition and pressure checked
- Wheels checked

01/26/2018

6,770

Thompson Toyota
Doylestown, PA
215-345-9460
1800thompson.com

★ 4.6 / 5.0

[122 Verified Reviews](#) ✓

♥ 2,468 Customer Favorites



Vehicle serviced

- Maintenance inspection completed
- 10,000 mile service performed

04/17/2018

8,510

Thompson Toyota
Doylestown, PA
215-345-9460
1800thompson.com

★ 4.6 / 5.0

[122 Verified Reviews](#) ✓

♥ 2,468 Customer Favorites



Vehicle serviced

- Safety inspection performed
- Emissions inspection performed

05/01/2018

Damage Report



Accident reported

07/21/2018

10,270

Thompson Toyota
Doylestown, PA
215-345-9460
1800thompson.com

★ 4.6 / 5.0

[122 Verified Reviews](#) ✓

♥ 2,468 Customer Favorites



Vehicle serviced

- 15,000 mile service performed
- Vehicle washed/detailed
- Alignment checked

07/25/2018

Damage Report



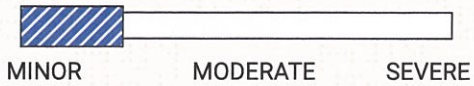
Damage reported: minor damage

- Damage to front

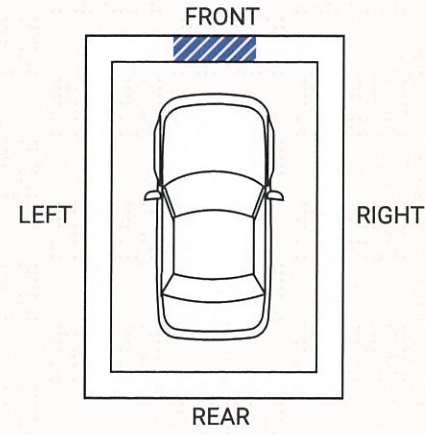
Thompson Toyota
Doylestown, PA
215-345-9460
1800thompson.com



Damage Severity Scale ⓘ



Damage Location



10/15/2018	11,779	Thompson Toyota Doylestown, PA 215-345-9460 1800thompson.com ★ 4.6 / 5.0 122 Verified Reviews ✓ ♥ 2,468 Customer Favorites	🔧 Vehicle serviced - Maintenance inspection completed - 20,000 mile service performed - Vehicle washed/detailed
11/09/2018	13,339	Thompson Toyota Doylestown, PA 215-345-9460 1800thompson.com ★ 4.6 / 5.0 122 Verified Reviews ✓ ♥ 2,468 Customer Favorites	🔧 Vehicle serviced - Maintenance inspection completed - Electrical system checked
03/19/2019		Thompson Toyota Doylestown, PA 215-345-9460 1800thompson.com ★ 4.6 / 5.0 122 Verified Reviews ✓ ♥ 2,468 Customer Favorites	🔧 Vehicle serviced - Maintenance inspection completed - 25,000 mile service performed - Safety inspection performed - Emissions inspection performed - Emissions or safety inspection performed
03/19/2019	14,674	Inspection Station	Passed emissions inspection
07/03/2019	16,672	Thompson Toyota Doylestown, PA 215-345-9460 1800thompson.com ★ 4.6 / 5.0 122 Verified Reviews ✓ ♥ 2,468 Customer Favorites	🔧 Vehicle serviced - Maintenance inspection completed
08/21/2019	17,716	Thompson Toyota Doylestown, PA 215-345-9460	🔧 Vehicle serviced - Maintenance inspection completed - Oil and filter changed

1800thompson.com

★ 4.6 / 5.0

[122 Verified Reviews](#) ✓

♥ 2,468 Customer Favorites

02/20/2020

Thompson Toyota
Doylestown, PA
215-345-9460
1800thompson.com

★ 4.6 / 5.0

[122 Verified Reviews](#) ✓

♥ 2,468 Customer Favorites



Vehicle serviced

- Maintenance inspection completed
- Tire condition and pressure checked
- Tires rotated
- Safety inspection performed
- Oil and filter changed
- Emissions inspection performed

02/20/2020

21,203

Inspection Station

Passed emissions inspection

05/14/2020

Pennsylvania
Motor Vehicle Dept.
Line Lexington, PA
Title #7749311901 KA

Registration issued or renewed

01/19/2021

24,012

Thompson Toyota
Doylestown, PA
215-345-9460
1800thompson.com

★ 4.6 / 5.0

[122 Verified Reviews](#) ✓

♥ 2,468 Customer Favorites



Vehicle serviced

- Maintenance inspection completed
- Oil and filter changed
- Battery replaced

03/08/2021

Thompson Toyota
Doylestown, PA
215-345-9460
1800thompson.com

★ 4.6 / 5.0

[122 Verified Reviews](#) ✓

♥ 2,468 Customer Favorites



Vehicle serviced

- Maintenance inspection completed
- Safety inspection performed
- Emissions inspection performed

03/08/2021

24,351

Inspection Station

Passed emissions inspection

02/19/2022

Pennsylvania
Motor Vehicle Dept.
Chalfont, PA
Title #7749311901 KA

Title issued or updated

- Duplicate title issued
- Registration updated when owner moved the vehicle to a new location



This vehicle's oil change history, as reported to CARFAX, follows the manufacturer's recommendation. Track your service history for free at [carfax.com/service](https://www.carfax.com/service).

Have Questions? Please visit our Help Center at www.carfax.com.



Glossary

Accident Indicator

CARFAX receives information about accidents in all 50 states, the District of Columbia and Canada.

Not every accident is reported to CARFAX. As details about the accident become available, those additional details are added to the CARFAX Vehicle History Report. CARFAX recommends that you have this vehicle inspected by a qualified mechanic.

- According to the National Safety Council, Injury Facts, 2015 edition, 8% of the 254 million registered vehicles in the U.S. were involved in an accident in 2013. Over 74% of these were considered minor or moderate.
- This CARFAX Vehicle History Report is based only on information supplied to CARFAX and available as of 3/16/22 at 9:56:14 AM (CDT). Other information about this vehicle, including problems, may not have been reported to CARFAX. Use this report as one important tool, along with a vehicle inspection and test drive, to make a better decision about your next used car.

CARFAX Well Maintained - Regular Oil Changes

CARFAX identifies a "Well Maintained - Regular Oil Change" vehicle as having a regular oil change history when all its recommended oil changes, based on the vehicle's maintenance schedule, have been reported to CARFAX. CARFAX uses the manufacturer's schedule and assumes normal driving conditions. When an oil change schedule is not available, CARFAX may analyze reported service events to determine what is typical for the same make and model vehicle. Dealers and service shops may publish different recommended service schedules.

Damage Indicator

Damage can be a result of many different types of events. Examples include contact with objects (other cars, trees, traffic signs, road debris, etc), vandalism, or weather-related events. Not every damage event is reported to CARFAX. As details about the damage event become available, those additional details are added to the CARFAX Vehicle History Report. CARFAX recommends that you have this vehicle inspected by a qualified mechanic.

- This CARFAX Vehicle History Report is based only on information supplied to CARFAX and available as of 3/16/22 at 9:56:14 AM (CDT). Other information about this vehicle, including problems, may not have been reported to CARFAX. Use this report as one important tool, along with a vehicle inspection and test drive, to make a better decision about your next used car.

Damage Severity

Damage events result in one of the following severity levels:

- Minor: Generally, minor damage is cosmetic (including dents or scratches), may only require reconditioning, and typically does not compromise a vehicle's operation and/or safety.
- Moderate: Moderate damage may affect multiple components of the vehicle and may impair the vehicle's operation and/or safety.
- Severe: Severe damage usually affects multiple components of the vehicle and is likely to compromise the vehicle's operation and/or safety.

CARFAX recommends getting a pre-purchase inspection at a certified collision repair facility.

First Owner

When the first owner(s) obtains a title from a Department of Motor Vehicles as proof of ownership.

Ownership History

CARFAX defines an owner as an individual or business that possesses and uses a vehicle. Not all title transactions represent changes in ownership. To provide estimated number of owners, CARFAX proprietary technology analyzes all the events in a vehicle history. Estimated ownership is available for vehicles manufactured after 1991 and titled solely in the US including Puerto Rico. Dealers sometimes opt to take ownership of a vehicle and are required to in the following states: Maine, Massachusetts, New Jersey, Ohio, Oklahoma, Pennsylvania and South Dakota. Please consider this as you review a vehicle's estimated ownership history.

Title Issued

A state issues a title to provide a vehicle owner with proof of ownership. Each title has a unique number. Each title or registration record on a CARFAX report does not necessarily indicate a change in ownership. In Canada, a registration and bill of sale are used as proof of ownership.

Toyota Recall / Service Campaign

Portions of this report have been included under license from Toyota Motor North America, Inc. ("TOYOTA"), License Agreement TMS1013. This data applies only to vehicle marketed or originally sold in Mexico and the United States of America, including Guam, Saipan, American Samoa, Puerto Rico, the U.S. Virgin Islands and the other United States territories and protectorates with currently open safety or emissions recalls, or service campaigns. While TOYOTA provides data to Carfax Inc. on a regular basis, this report may not include very recent activity. For the manufacturer's most current information on recall/campaign activity for any Toyota, Lexus or Scion brand vehicle, you must go to <http://toyota.com/recall> or <http://lexus.com/recall>.

Follow Us:  [facebook.com/CARFAX](https://www.facebook.com/CARFAX)  [@CARFAXinc](https://twitter.com/CARFAXinc)  About CARFAX

CARFAX DEPENDS ON ITS SOURCES FOR THE ACCURACY AND RELIABILITY OF ITS INFORMATION. THEREFORE, NO RESPONSIBILITY IS ASSUMED BY CARFAX OR ITS AGENTS FOR ERRORS OR OMISSIONS IN THIS REPORT. CARFAX FURTHER EXPRESSLY DISCLAIMS ALL WARRANTIES, EXPRESS OR IMPLIED, INCLUDING ANY IMPLIED WARRANTIES OF MERCHANTABILITY OR FITNESS FOR A PARTICULAR PURPOSE.

© 2022 CARFAX, Inc., a unit of IHS Markit Ltd. All rights reserved.
3/16/22 9:56:14 AM (CDT)



VEHICLE HIGHLIGHTS

2017 TOYOTA CAMRY LE/XLE/SE/XSE

VIN: 4T1BF1FK5HU770491

Body Style: SEDAN 4 DR

Engine Size: 2.5L I4 F DOHC 16V

Drivetrain: FRONT WHEEL DRIVE



Original Manufacturer's Warranty:

Basic Warranty Expired

Please confirm remaining factory warranty and extended warranty options with your dealer!

The original manufacturer's warranty includes:

36 months or 36,000 miles

Information excerpted from the CARFAX Vehicle History Report and/or Safety & Reliability Ratings; see full reports for additional information, glossary of terms, source attributions, disclaimers & limitations. Go to carfax.com for complete Buyback Guarantee terms and conditions.

OWNERSHIP HISTORY:

Number of Owners:



Last owned in the following state/province:	Pennsylvania
Annual average mileage:	6,290 LOW MILEAGE*

*Below industry annual average of 15,000 miles

STATE DMV-REPORTED TITLE PROBLEMS:

None of these major title problems were reported by a state Department of Motor Vehicles:



Salvage, Junk, Rebuilt, Fire, Flood, Hail, Lemon	Guaranteed No Problem
Not Actual Mileage, Exceeds Mechanical Limits	Guaranteed No Problem

ACCIDENTS AND OTHER ISSUES:

No issues reported to CARFAX on the following:

Total Loss	<input checked="" type="checkbox"/> No Issues Reported
Structural Damage	<input checked="" type="checkbox"/> No Issues Reported
Airbag Deployment	<input checked="" type="checkbox"/> No Issues Reported
Odometer Rollback	<input checked="" type="checkbox"/> No Issues Reported

Accident and damage reported on this vehicle. Please see the full CARFAX Vehicle History Report for more details.

SHOW ME THE CARFAX