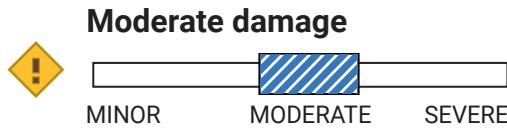




Vehicle History Report™

2022 CHEVROLET CORVETTE STINGRAY

VIN: 1G1YB3D48N5123625
 CONVERTIBLE
 6.2L V8
 GASOLINE
 REAR WHEEL DRIVE
 Original Window Sticker



2 Service history records

CARFAX 1-Owner vehicle

Corporate vehicle

10 Last reported odometer reading

This CARFAX Vehicle History Report is based only on information supplied to CARFAX and available as of 6/1/23 at 8:50:00 AM (CDT). Other information about this vehicle, including problems, may not have been reported to CARFAX. Use this report as one important tool, along with a vehicle inspection and test drive, to make a better decision about your next used car.



Ownership History

The number of owners is estimated

Owner 1

Year purchased

2022

Type of owner

Corporate

Estimated length of ownership

1 year

Owned in the following states/provinces

Florida, New Jersey

Estimated miles driven per year

Last reported odometer reading

10



Title History

CARFAX guarantees the information in this section

Owner 1

Damage Brands

Salvage | Junk | Rebuilt | Fire | Flood | Hail | Lemon

Guaranteed
No Problem

Odometer Brands

Not Actual Mileage | Exceeds Mechanical Limits

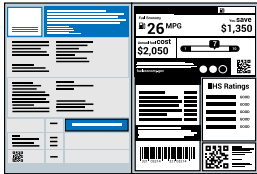

Guaranteed
No Problem



GUARANTEED - None of these major title problems were reported by a state Department of Motor Vehicles (DMV). If you find that any of these title problems were reported by a DMV and not included in this report, CARFAX will buy this vehicle back.
View Terms | View Certificate

Additional History Not all accidents / issues are reported to CARFAX	Owner 1
Total Loss No total loss reported to CARFAX.	<input checked="" type="checkbox"/> No Issues Reported
Structural Damage CARFAX recommends that you have this vehicle inspected by a collision repair specialist.	<input checked="" type="checkbox"/> No Issues Reported
Airbag Deployment No airbag deployment reported to CARFAX.	<input checked="" type="checkbox"/> No Issues Reported
Odometer Check No indication of an odometer rollback.	<input checked="" type="checkbox"/> No Issues Indicated
Accident / Damage Damage reported: 08/16/2022 and 02/14/2023.	Damage Reported
Manufacturer Recall No open recalls reported to CARFAX. Check for open recalls on GM vehicles at recalls.gm.com.	<input checked="" type="checkbox"/> No Recalls Reported
Basic Warranty Original warranty estimated to have 24 months or 35,990 miles remaining.	<input checked="" type="checkbox"/> Warranty Active

Detailed History

Owner 1 Purchased: 2022			Corporate Vehicle
Date	Mileage	Source	Comments
Not Reported		General Motors	Vehicle manufactured and shipped to original dealer  Original Window Sticker
05/19/2022	5	Bomnin Chevrolet Dadeland Miami, FL 786-245-7584	 Vehicle serviced - Pre-delivery inspection completed - Wheel locks installed

★ **4.0 / 5.0**
 141 Verified Reviews
 ❤️ **8,302** Customer Favorites

05/21/2022 10

Bomnin Chevrolet
 Dadeland
 Miami, FL
 786-245-7584

Vehicle sold

★ **4.0 / 5.0**
 141 Verified Reviews
 ❤️ **8,302** Customer Favorites

05/21/2022

Florida
 Motor Vehicle Dept.

Registration issued or renewed
 - Vehicle color noted as Red

05/21/2022

New Jersey
 Motor Vehicle Dept.
 Mahwah, NJ

Titled or registered as corporate vehicle

06/21/2022

Florida
 Motor Vehicle Dept.
 Mahwah, NJ

Registration issued or renewed
 - Vehicle color noted as Red

07/12/2022

Bomnin Chevrolet
 Dadeland
 Miami, FL
 786-245-7584



Vehicle serviced
 - Wheels checked

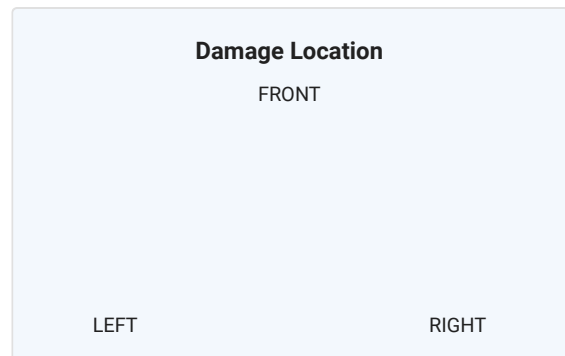
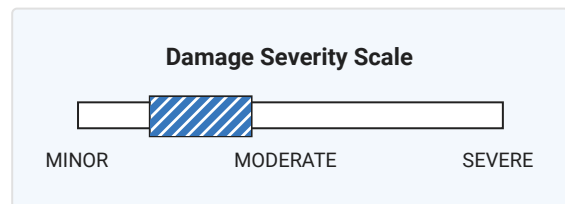
★ **4.0 / 5.0**
 141 Verified Reviews
 ❤️ **8,302** Customer Favorites

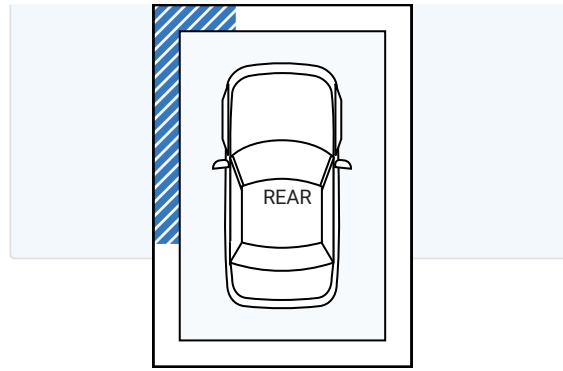
08/16/2022

Damage Report



Damage reported: minor to moderate damage
 - Damage to left front
 - Damage to left side





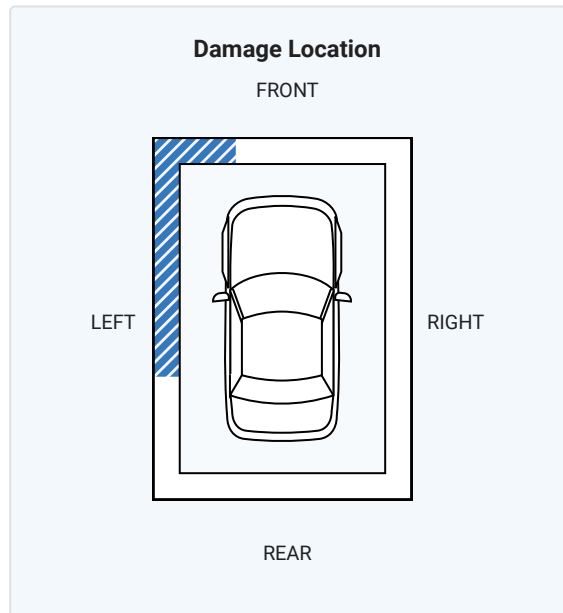
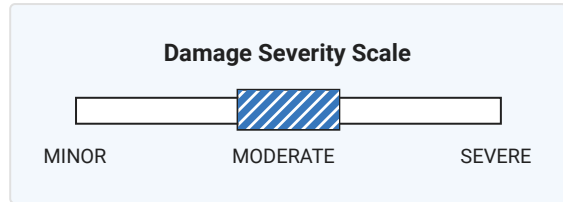
02/14/2023

Damage Report



Damage reported: moderate damage

- Damage to left front
- Damage to left side



04/28/2023

Florida
Motor Vehicle Dept.
Mahwah, NJ
Title #0150580203

Title issued or updated

- First owner reported
- Loan or lien reported
- Vehicle color noted as Red



Avoid financial headaches. Make sure the loan has been paid off if you're buying from a private seller. [Learn More](#)

Have Questions? Please visit our Help Center at www.carfax.com.



Glossary

Damage Indicator

Damage can be a result of many different types of events. Examples include contact with objects (other cars, trees, traffic signs, road debris, etc), vandalism, or weather-related events. Not every damage event is reported to CARFAX. As details about the damage event become available, those additional details are added to the CARFAX Vehicle History Report. CARFAX recommends that you have this vehicle inspected by a qualified mechanic.

- This CARFAX Vehicle History Report is based only on information supplied to CARFAX and available as of 6/1/23 at 8:50:00 AM (CDT). Other information about this vehicle, including problems, may not have been reported to CARFAX. Use this report as one important tool, along with a vehicle inspection and test drive, to make a better decision about your next used car.

Damage Severity

Damage events result in one of the following severity levels:

- **Minor:** Generally, minor damage is cosmetic (including dents or scratches), may only require reconditioning, and typically does not compromise a vehicle's operation and/or safety.
- **Moderate:** Moderate damage may affect multiple components of the vehicle and may impair the vehicle's operation and/or safety.
- **Severe:** Severe damage usually affects multiple components of the vehicle and is likely to compromise the vehicle's operation and/or safety.

CARFAX recommends getting a pre-purchase inspection at a certified collision repair facility.

First Owner

When the first owner(s) obtains a title from a Department of Motor Vehicles as proof of ownership.

Ownership History

CARFAX defines an owner as an individual or business that possesses and uses a vehicle. Not all title transactions represent changes in ownership. To provide estimated number of owners, CARFAX proprietary technology analyzes all the events in a vehicle history. Estimated ownership is available for vehicles manufactured after 1991 and titled solely in the US including Puerto Rico. Dealers sometimes opt to take ownership of a vehicle and are required to in the following states: Maine, Massachusetts, New Jersey, Ohio, Oklahoma, Pennsylvania and South Dakota. Please consider this as you review a vehicle's estimated ownership history.

Title Issued

A state issues a title to provide a vehicle owner with proof of ownership. Each title has a unique number. Each title or registration record on a CARFAX report does not necessarily indicate a change in ownership. In Canada, a registration and bill of sale are used as proof of ownership.

Follow Us:  [facebook.com/CARFAX](https://www.facebook.com/CARFAX)

 [@CARFAXinc](https://twitter.com/CARFAXinc)

 [About CARFAX](#)

CARFAX DEPENDS ON ITS SOURCES FOR THE ACCURACY AND RELIABILITY OF ITS INFORMATION. THEREFORE, NO RESPONSIBILITY IS ASSUMED BY CARFAX OR ITS AGENTS FOR ERRORS OR OMISSIONS IN THIS REPORT. CARFAX FURTHER EXPRESSLY DISCLAIMS ALL WARRANTIES, EXPRESS OR IMPLIED, INCLUDING ANY IMPLIED WARRANTIES OF MERCHANTABILITY OR FITNESS FOR A PARTICULAR PURPOSE.

© 2023 CARFAX, Inc., part of S&P Global. All rights reserved.
6/1/23 8:50:00 AM (CDT)

